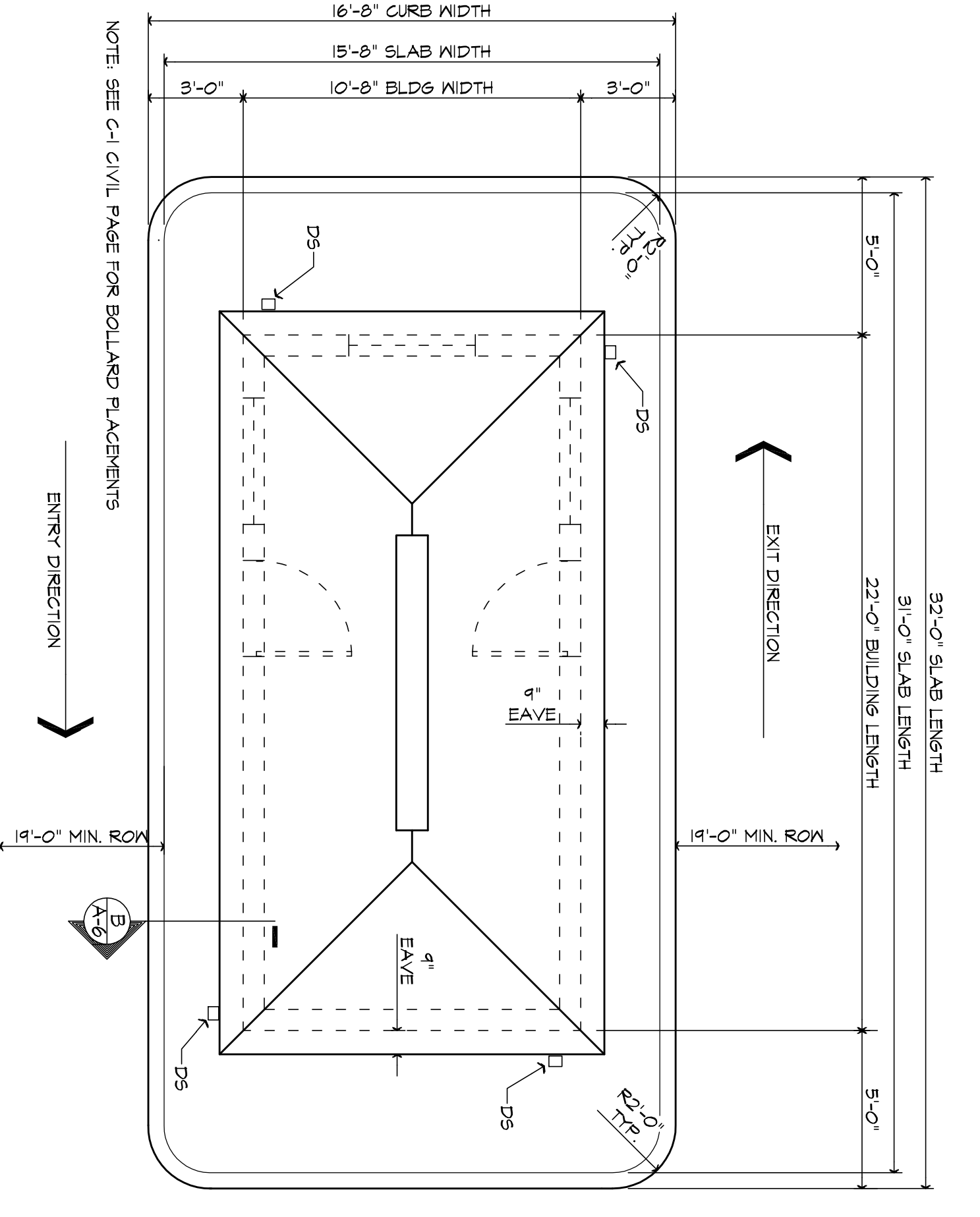
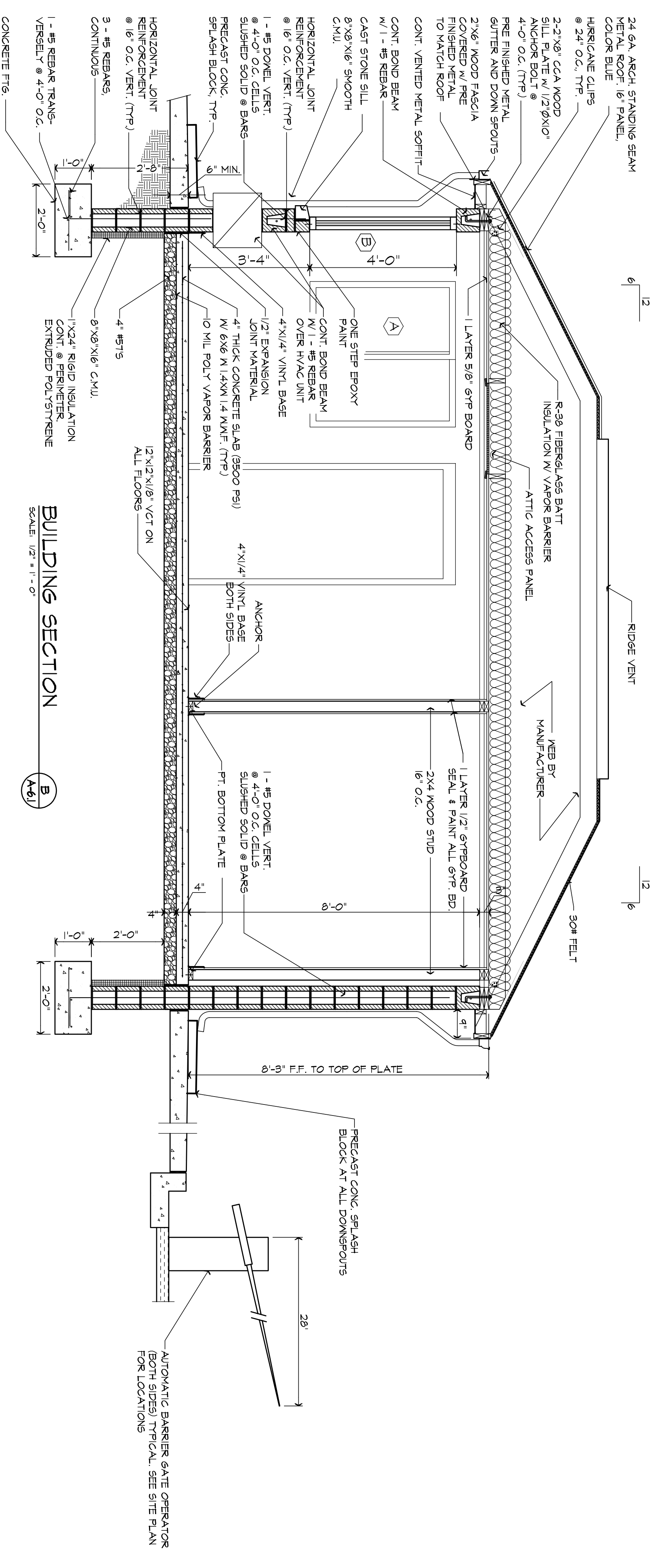


- ### TRUSS NOTES
- PROVIDE CONTINUOUS 2" X 4" CROSS BRACING AND/OR BRACING AT ALL 1/4 POINTS OF THE TRUSS SPAN FOR BOTH TOP AND BOTTOM CHORDS.
  - ALL WOOD TRUSS BRACING AND CONNECTIONS SHALL CONFORM TO THE TRUSS MANUFACTURER'S SPECIFICATIONS.
  - TRUSS BRACING SHALL BE INSTALLED IN ACCORDANCE WITH THE TRUSS MANUFACTURER'S SPECIFICATIONS AND RECOMMENDATIONS IN BOOKLET (ET-30).
  - STEEL BRACKET PLATES SHALL BE EITHER WELDED OR BOLTED TO THE TRUSS CHORDS AND SHALL BE DESIGNED USING THE FOLLOWING LOADS:
 

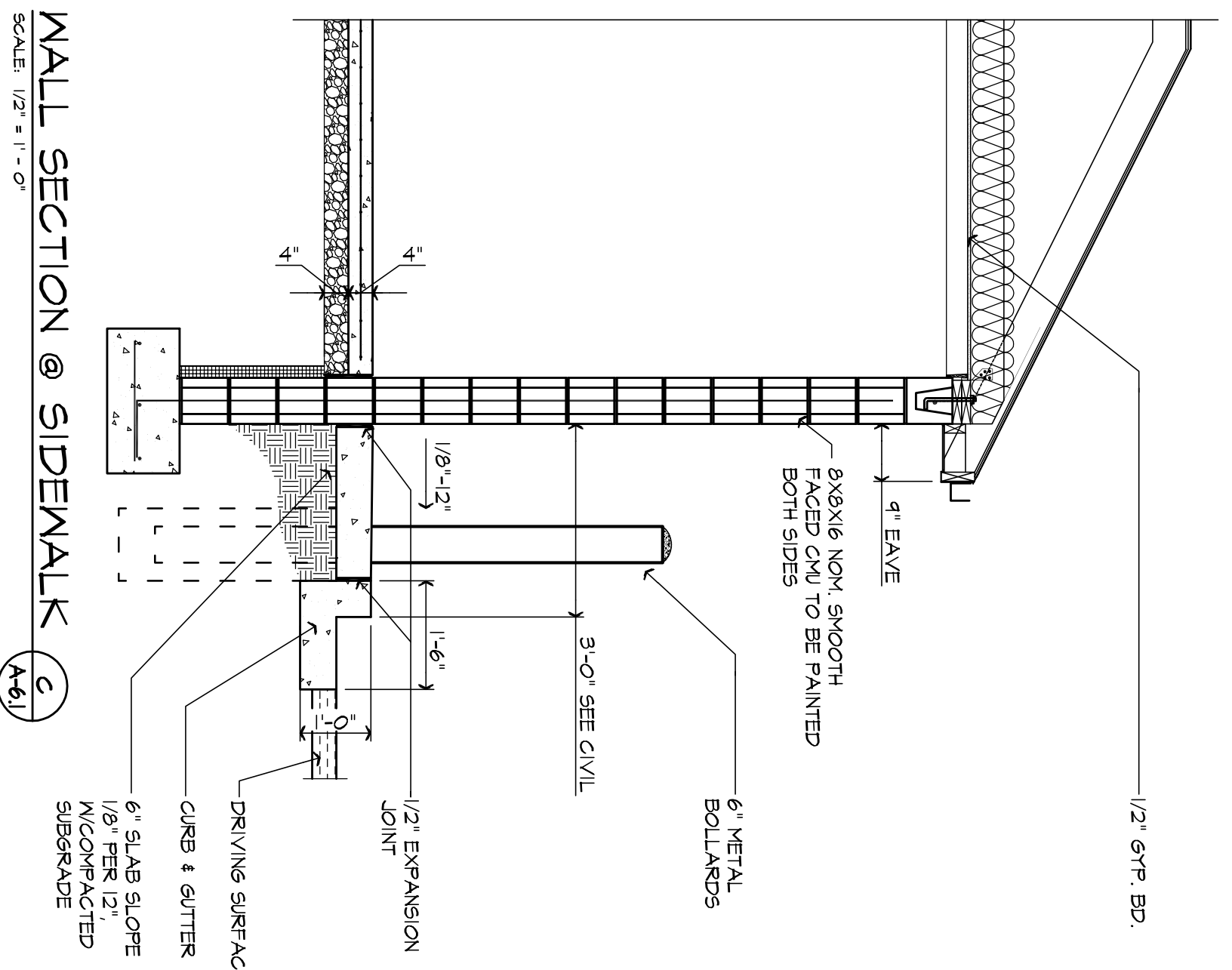
TL Live	250 PF
TL Dead	0.0 PF
BC Live	0.0 PF
BC Dead	10.0 PF
TOTAL	450 PF
  - CONTRACTOR SHALL SUBMIT TRUSS SHOP DRAWINGS INCLUDING TRUSS BRACING AND CONNECTIONS TO THE ARCHITECT FOR REVIEW PRIOR TO FABRICATION.
  - TRUSS BRACING SHALL PROVIDE 2" X 4" FLAT VERTICAL WEB GUSSETERS SHALL BE BUILT IN TO CONNECT TO DEAD LOAD DEFLECTION FOR SPANS INDICATED.
  - INDICATED SIZES OF MEMBERS ARE MINIMUM AND SHALL BE INCREASED WHERE REQUIRED BY STRESSES. ALL MEMBERS SHALL BE DESIGNED TO RESIST ALL APPLIED LOADS AND STRESSES. THERE SHALL BE NO SPICES OF TRUSS MEMBERS AT CONNECTION POINTS.



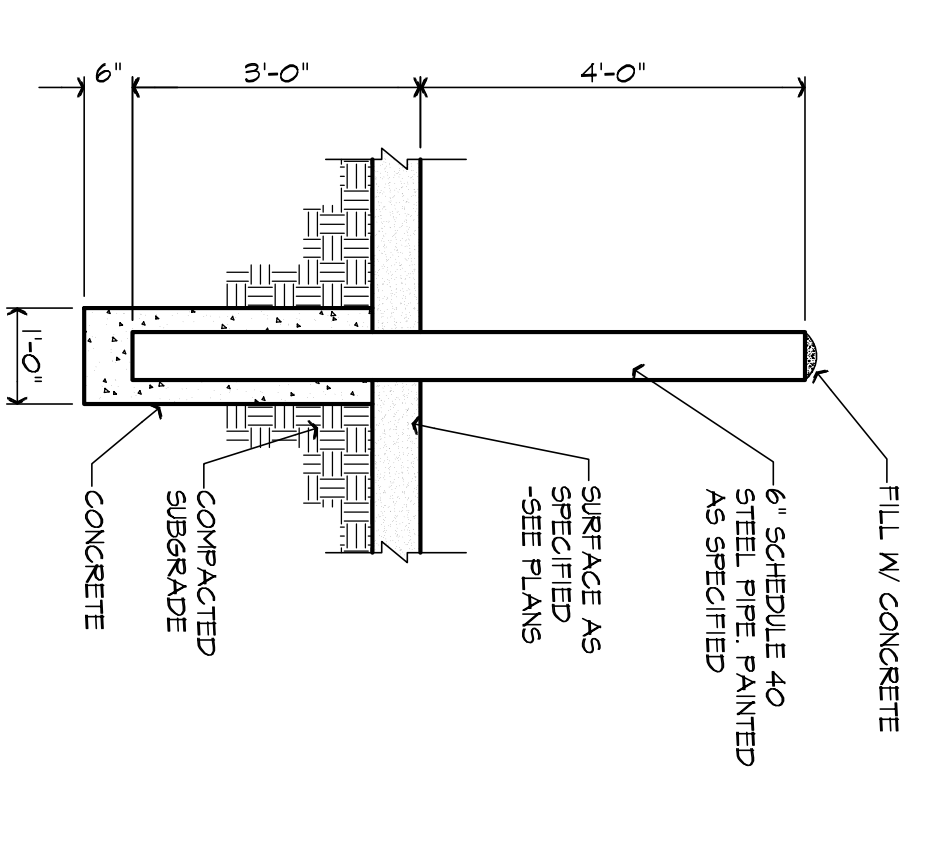
SLAB PLAN  
SCALE: 1/8" = 1'-0"



BUILDING SECTION  
SCALE: 1/2" = 1'-0"



WALL SECTION @ SIDEWALK  
SCALE: 1/2" = 1'-0"



GUARD POST DETAIL  
SCALE: 1/2" = 1'-0"

GUARD SHACK

**NSC**  
OF KENTUCKY, INC.

624 Wellington Way  
Lexington, KY 40503  
Phone: (854)223-5644  
Fax: (854)223-2601  
www.nsflex.com

PROJECT NO. 8529-02  
DESIGNED BY MSF  
DRAWN BY MSF  
CHECKED BY MSF  
REVIEWED BY  
DATE JULY 2011  
SCALE AS NOTED

DATE 12-28-11  
REVISION NUMBER THREE, CMU WALLS

DESIGN DOCUMENTS:  
The design professional warrants and all responsibility and liability for problems which arise from failure to follow these plans, specifications and the design itself lies with the client.

Copyright ©  
This document discloses subject matter considered confidential by NSC of Kentucky, Inc. and in which NSC of Kentucky, Inc. has a proprietary right. Neither recipient nor possessor of these plans or drawings shall be permitted to reproduce the document or any part thereof, or to disclose any information contained therein to others, or to use it for any purpose without the written permission of NSC of Kentucky, Inc.

DRAWING NO. UFL-L12 A-6.1

**FLEX FILMS (USA) INC.**  
1221 NORTH BLACK BRANCH ROAD  
ELIZABETHTOWN, KENTUCKY 42702  
PROJECT L-12 BOPET U.S.A.